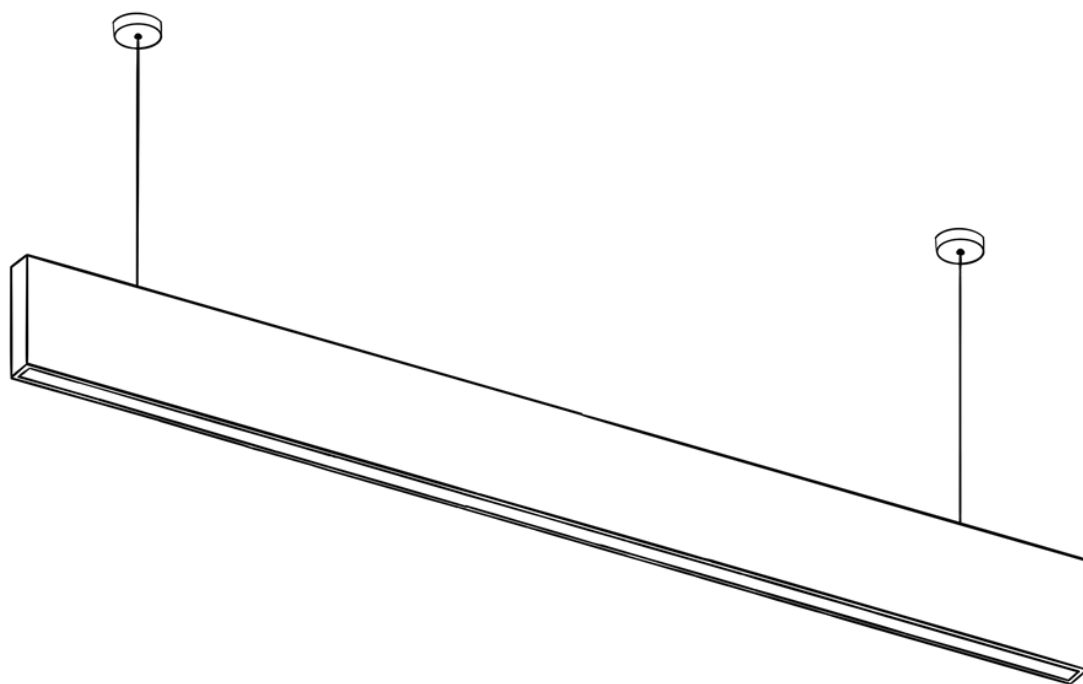


The Calmway

Installation Sheet V00



Product Features

Please read this manual carefully before installation and use. Please keep it for reference.

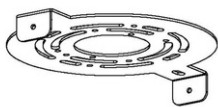
Warm Tips

- This product is only suitable for indoor use, and should be kept away from open fire or high-temperature objects. Please install and use it by professional electrical personnel.
- Before installing and using the product, please confirm that the product is not damaged during transportation for timely replacement or return, so as to ensure the legitimate rights and interests of consumers.
- Non professionals are not allowed to disassemble and repair the product. If maintenance is required, please contact our sales team. Our company will not replace or guarantee the product disassembled and repaired without permission.
- Before cleaning the product, please turn off the power and do the cleaning with dry cloth. Please do not clean with chemical or corrosive solvents.

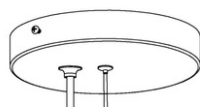
Installation Note:

- Please install the luminaries by professional electrical personnel to avoid accidents or damage to the product.
- Please handle with care during installation to ensure the best performance of the product.
- If it is not installed following the relevant requirements and regulations in the manual, the manufacturer shall not be responsible for the loss and damage caused.

Fixing Accessories



Mounting Bracket



Mounting Canopy



Wire Connector



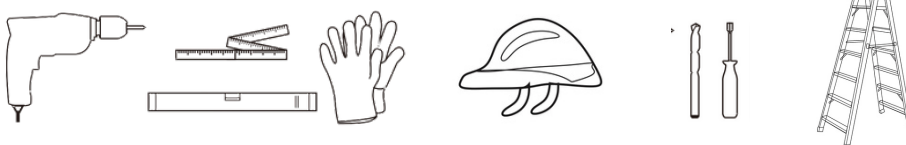
Plastic Anchor



Canopy, Anchor
and Bracket
Screws

Tools & Product Preparation

Needed Tools



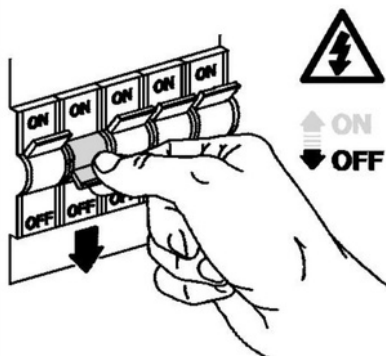
Notice:

Take out the product from packaging with care to ensure that the product is intact and prevent falling.

Installation Steps

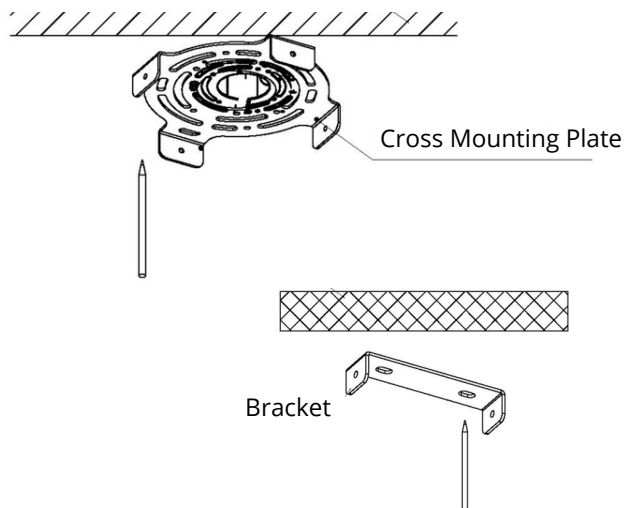
Step 1

Shut "OFF" the electricity at main fuse box. Place the wall switch in the "OFF" position of the room you are installing the fixture.



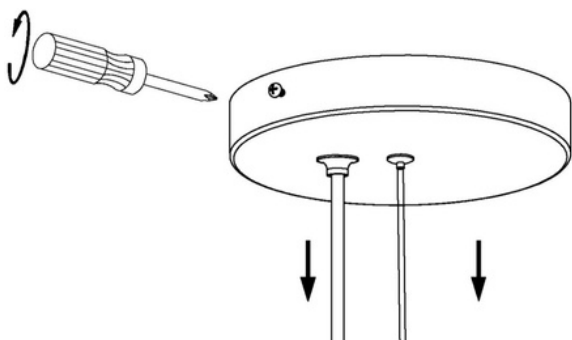
Step 2

Make point marks on the ceiling according to the Mounting pin and Canopy location.



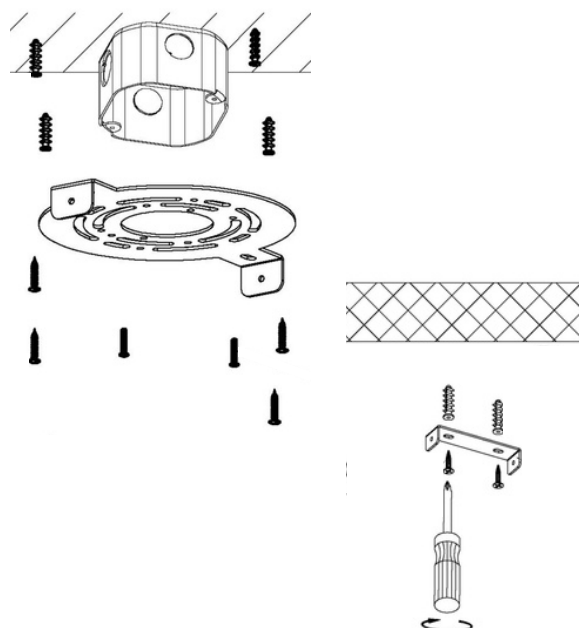
Step 3

Use Screw driver to relief the Screws between Mounting Canopy and Bracket from the side



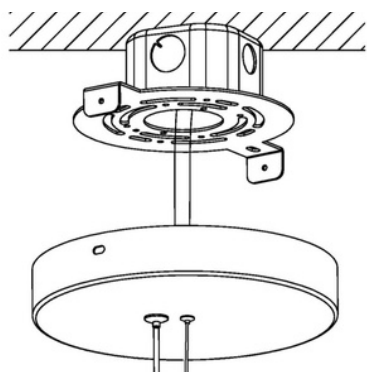
Step 4

Take out Plastic Pin , drill 4pcs diameter 6mm holes on the ceiling according to Mounting Bracket. Insert the expansion bolts into the holes. Use 2 pcs M4*25mm Screws to fix Mounting Bracket with J-Box, refer to picture shown below.



Step 5

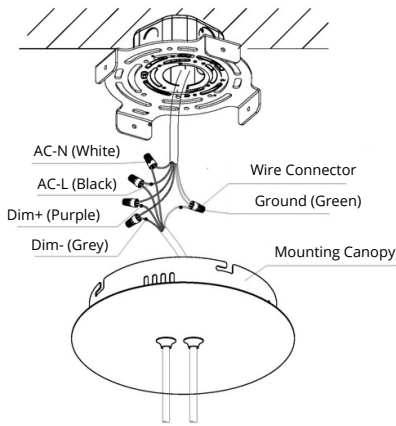
Use x3 Self-Tapping screw to fix Mounting Bracket on the ceiling.



Installation Steps

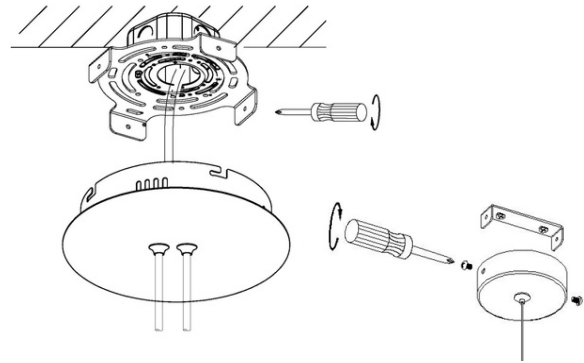
Step 6

Use wire connectors to connect L, N wires.
After finish, put all Wires with connector into J-Box



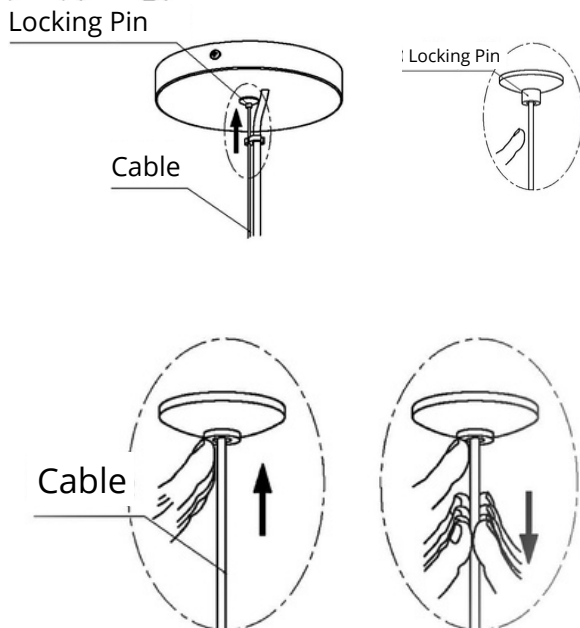
Step 7

Adjust the fixture safety cable and Aircraft cable length, use Screw to fix with Mounting Bracket and Mounting Canopy. Then loosen all the cables.



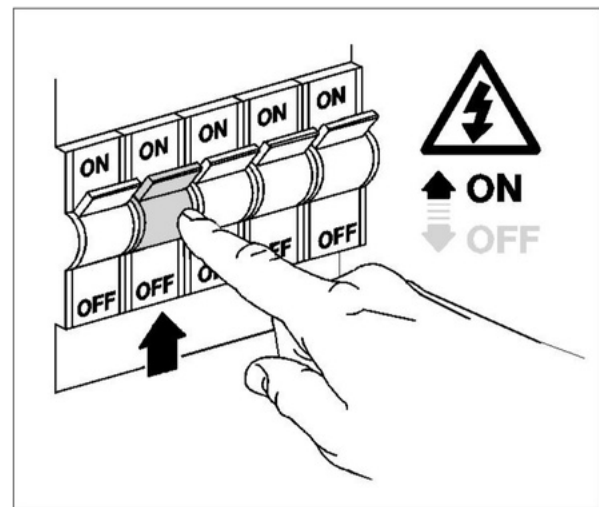
Step 8

Adjust the fixture safety cable and Aircraft cable length, use Screw to fix with Mounting Bracket and Mounting Canopy. Then loosen all the cables.



Step 9

Once the installation is complete, switch on the power at the main fuse box and test the lighting.



Important Notes

- This product must be installed in compliance with relevant installation codes by someone familiar with the product's construction, operation, and associated hazards.
- Ce produit doit être installé conformément au code d'installation applicable par une personne connaissant la construction et le fonctionnement du produit ainsi que les dangers impliqués.
- **Operating Conditions for Ring Light:**
 - Temperature: -20 °C to 40 °C
 - Humidity: 0% to 95%
 - Failure to adhere to these conditions may result in damage to the ring light's lifespan.
- **Installation Precautions:** Ensure power is turned off before installation. Installation and maintenance should be performed by a qualified electrician or personnel with the necessary expertise.
- **Safety Considerations:**
 - Exercise caution regarding fire prevention, electrical safety, and shock resistance.
 - Avoid covering the fixture with flammable materials.
- **Fastening and Connection Guidelines:**
 - Ensure all screws and terminals are securely tightened and inserted.
 - No loosening or improper connections are permitted.
- **Polarity Attention:** Pay attention to the polarity of components, power supply, driver, and other relevant elements. Terminals should be tightened and tightly inserted.
- **MIN 90 °C SUPPLY CONDUCTORS/LES FILS D'ALIMENTATION 90 °C MIN**
- **DAMP LOCATIONS ONLY/POUR EMPLACEMENTS SECS SEULEMENT**

Pay attention to the following points when installing in all methods

- Check whether all connectors are connected well and firmly.
- Check that all power cords are connected correctly.
- All the illustrations in the user instruction are diagrams only.

kendila

Installation Sheet V00 - Architectural - The Calmway



Sales@kendila.com



www.kendila.com



+1 514 999 8098